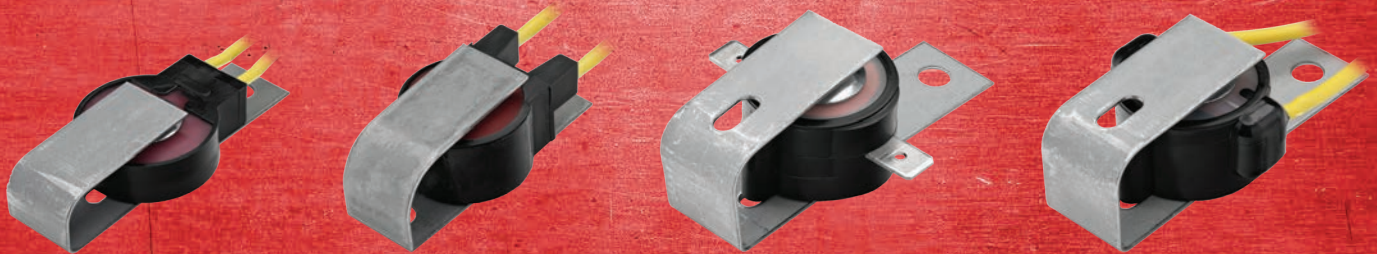


INDUSTRIAL BUZZERS



5000 - 7000 SERIES

Our **Analog Buzzers** come in three standard sizes, all of which have completely nylon encapsulated coils, making them resistant to dirt, moisture, and corrosion. Combined with the molded-in lead wires which provide maximum strain relief, this acoustic signaling device is made to withstand extreme environmental conditions.

All of our Buzzers are UL Recognized (File No. S1654) and CSA Certified for use in appliances (Report No. LR 37812) to save time while gaining system approval.

Custom versions of the standard Buzzers are available in higher quantities. Customizations include the adaption of the input voltage, custom connectors, mounting options, and part marking. Lead wires can be adjusted in length and color according to your specification.

TECHNICAL DATA

STANDARD VOLTAGE: 120/220 VAC

FREQUENCY: 60HZ

DUTY CYCLE: 100%

SOUND: 80DB (AT 3 FEET)

CONNECTIONS: FREE LEADS

CONTACT US

Wilma McDougale

Phone: +1 574 257 2422

Fax: +1 574 257 2421

Email: sales-mishawaka@kendrion.com

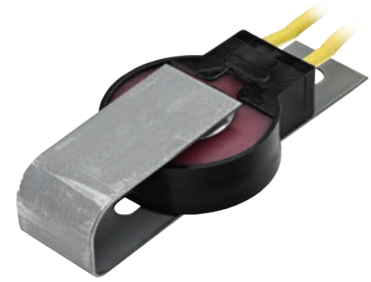
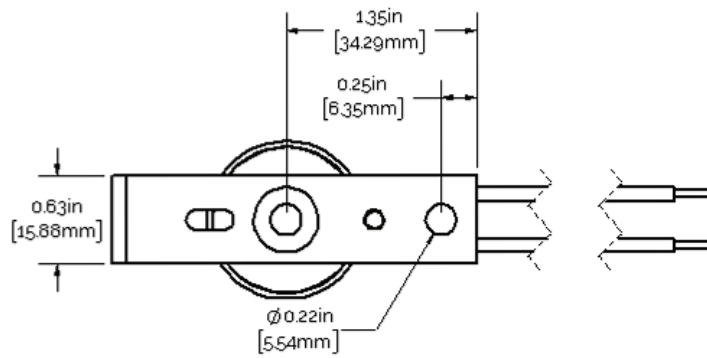
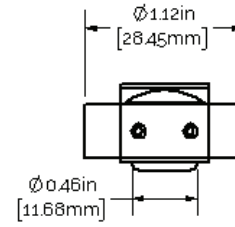
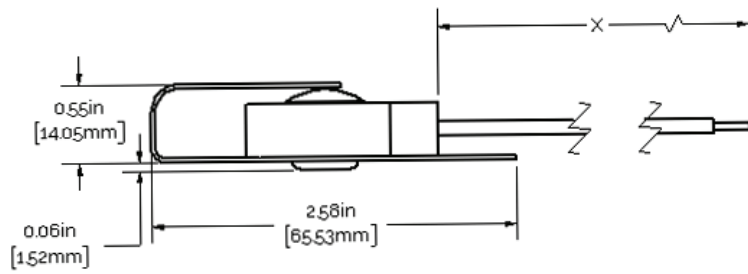
Web: www.kendrion.com

Kendrion (Mishawaka) LLC

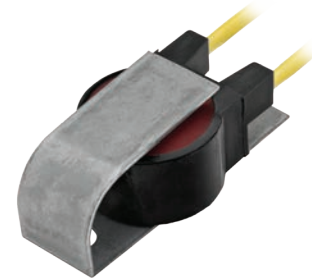
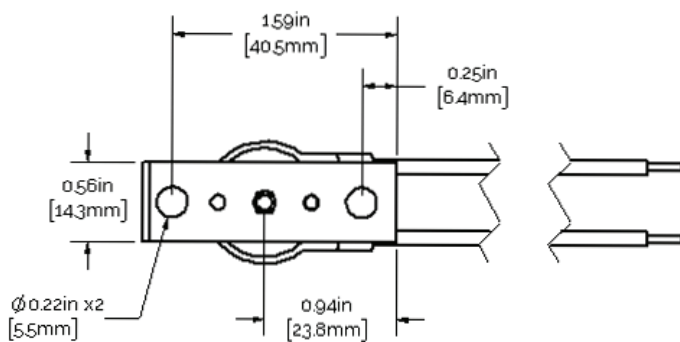
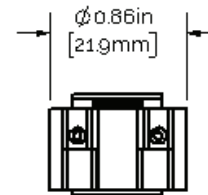
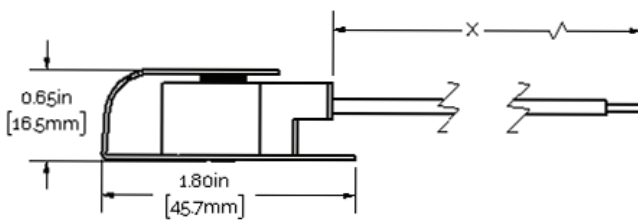
Magnetic Drive 56733

Mishawaka, IN 46545-7481

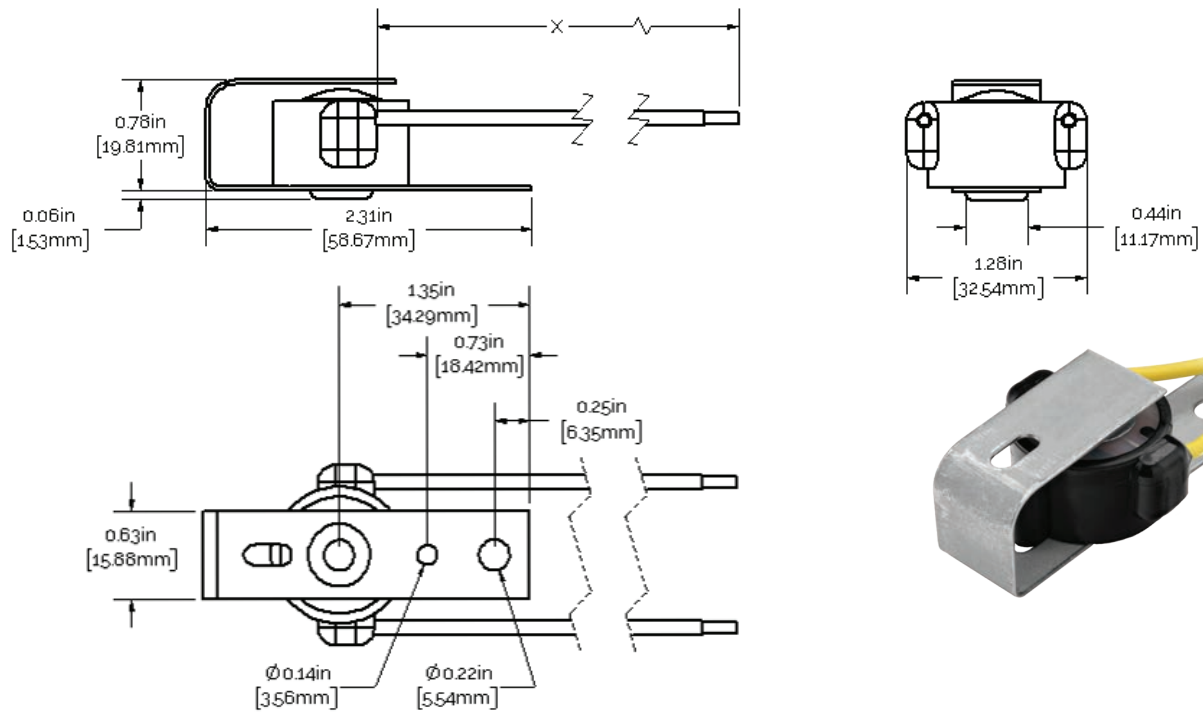
5000 SERIES



6000 SERIES



7000 SERIES



7000 SERIES WITH TERMINAL

